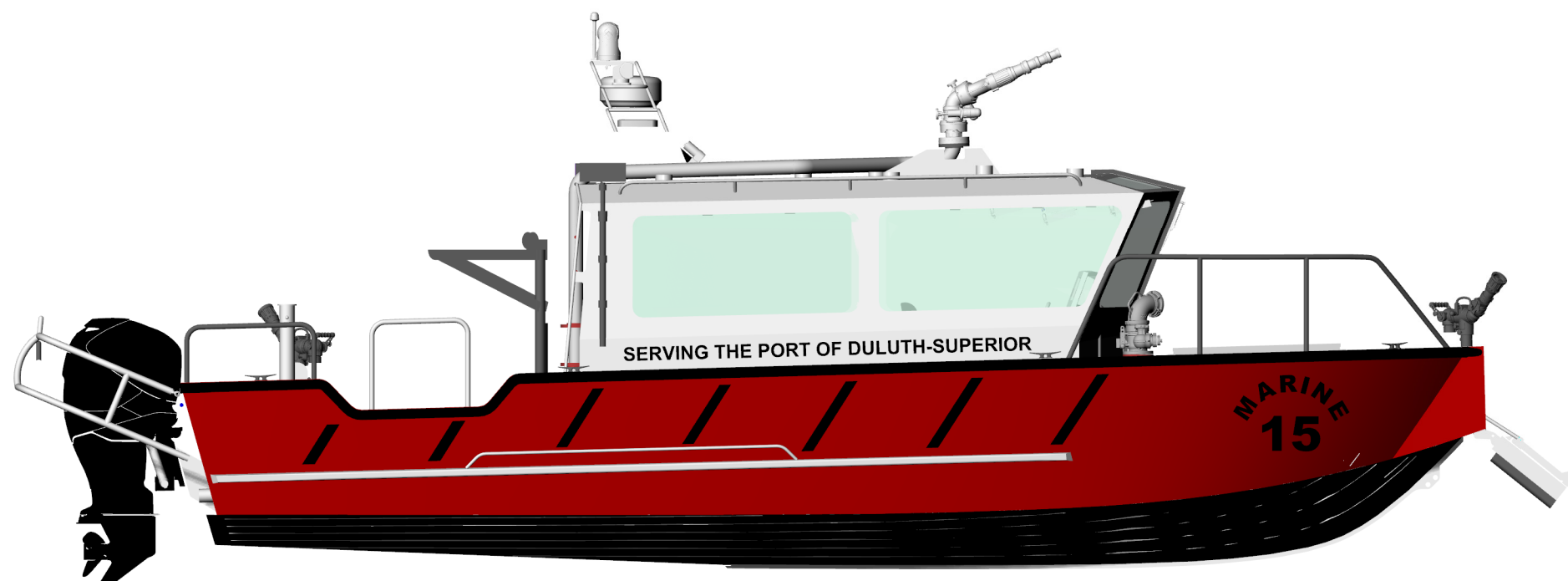
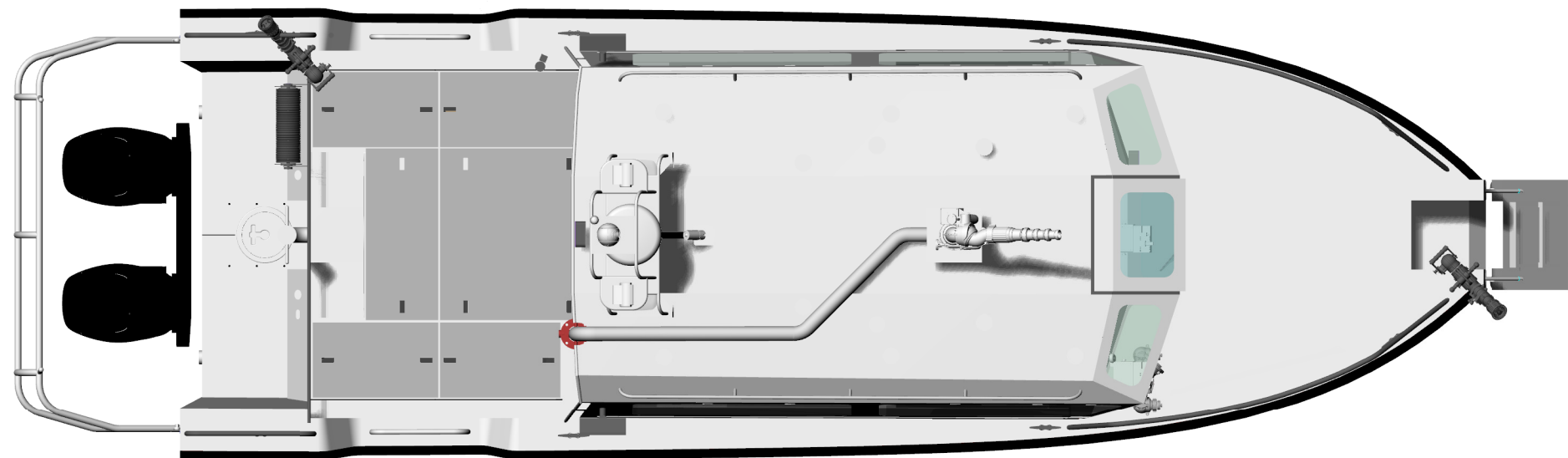


4

3

2

1



DO NOT SCALE DRAWING

REVISION	BY	DESCRIPTION	DATE	NAME	DATE
		DRAWN		CEG	11-6-17
		CHECKED			
		ENG APPR.			
		MFG APPR.			
		Q.A.			

PROPRIETARY AND CONFIDENTIAL
 THE INFORMATION CONTAINED IN THIS DRAWING IS THE SOLE
 PROPERTY OF LAKE ASSAULT BOATS, LLC. ANY REPRODUCTION
 OR USE IN PART OR AS A WHOLE WITHOUT WRITTEN
 PERMISSION FROM LAKE ASSAULT BOATS, LLC IS PROHIBITED.



1 CLOUGH AVE
 SUPERIOR, WI 54880-1300
 715-394-7787
 LAKEASSAULT.COM

TITLE:
Duluth Fire-Rescue

LAKE ASSAULT BOATS, LLC
 DRAWING:
 800-010

SHEET
 1 / 5

4

3

2

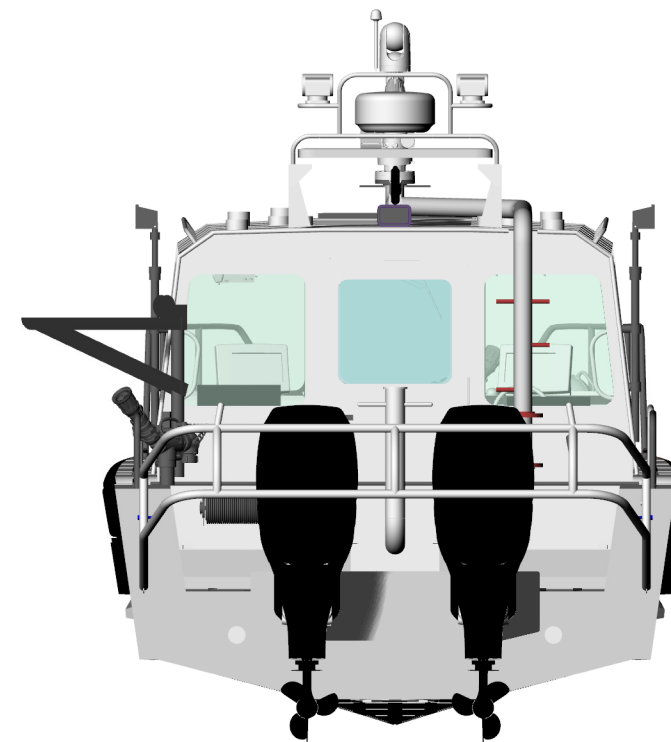
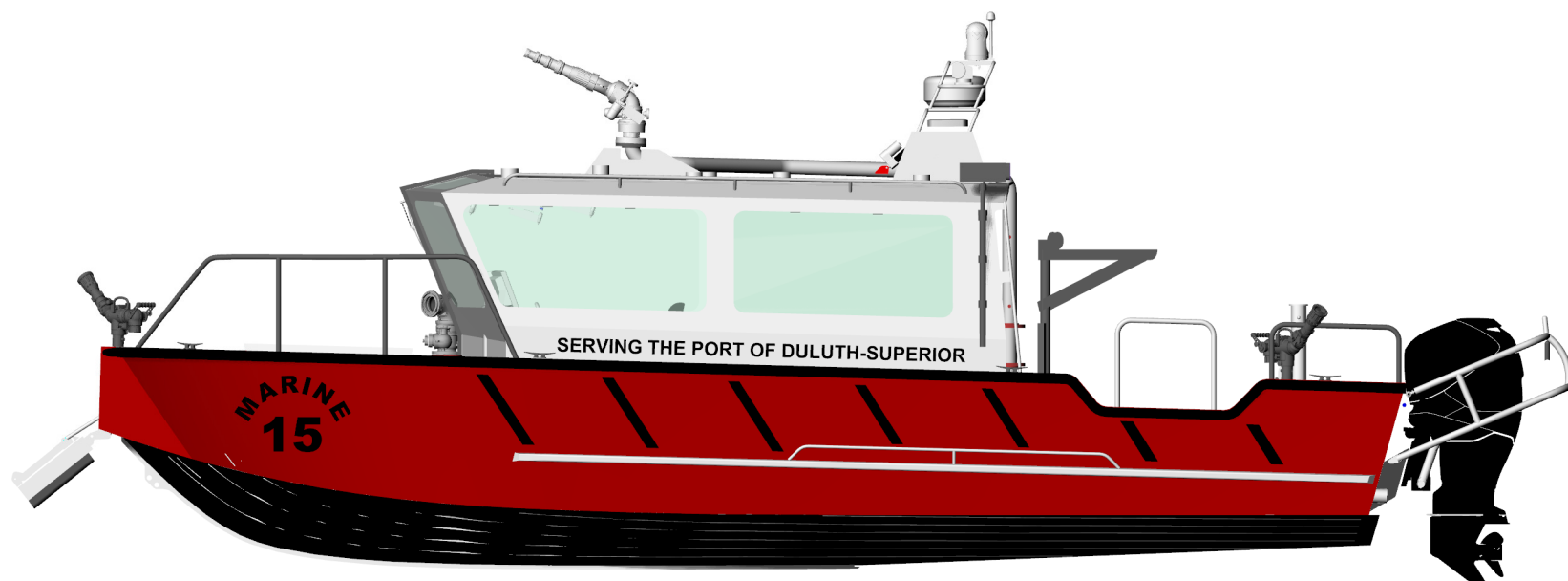
1

4

3

2

1



DO NOT SCALE DRAWING

REVISION	BY	DESCRIPTION	DATE	NAME	DATE
—	—	—	00-00-14	DRAWN	2-20-17
				CHECKED	
				ENG APPR.	
				MFG APPR.	
				Q.A.	

PROPRIETARY AND CONFIDENTIAL
 THE INFORMATION CONTAINED IN THIS DRAWING IS THE SOLE
 PROPERTY OF LAKE ASSAULT BOATS, LLC. ANY REPRODUCTION
 OR USE IN PART OR AS A WHOLE WITHOUT WRITTEN
 PERMISSION FROM LAKE ASSAULT BOATS, LLC IS PROHIBITED.



1 CLOUGH AVE
 SUPERIOR, WI 54880-1300
 715-394-7787
 LAKEASSAULT.COM

TITLE:
 Duluth Fire-Rescue

LAKE ASSAULT BOATS, LLC
 DRAWING:
 800-010

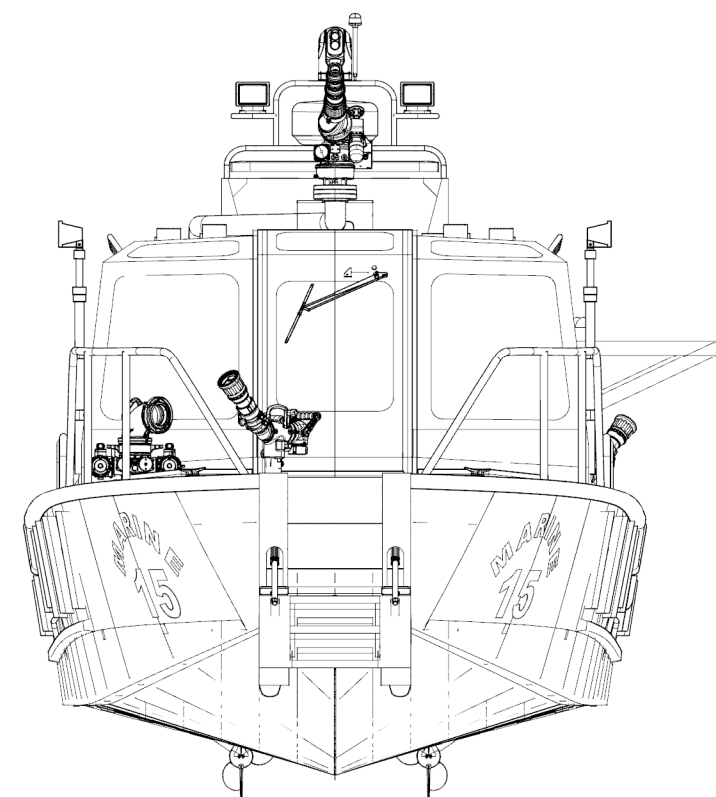
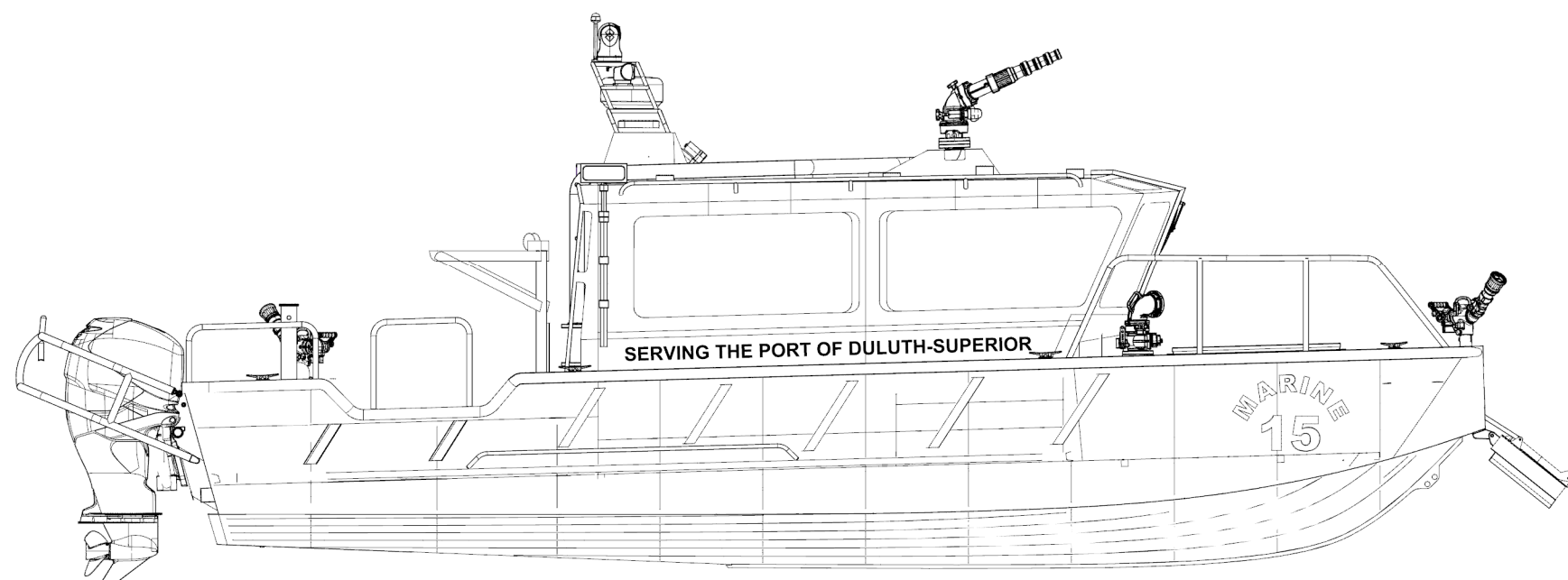
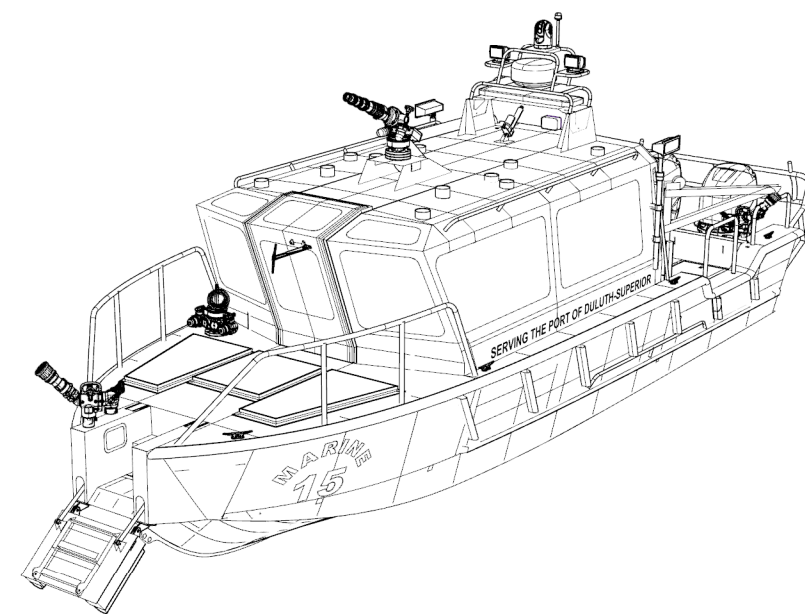
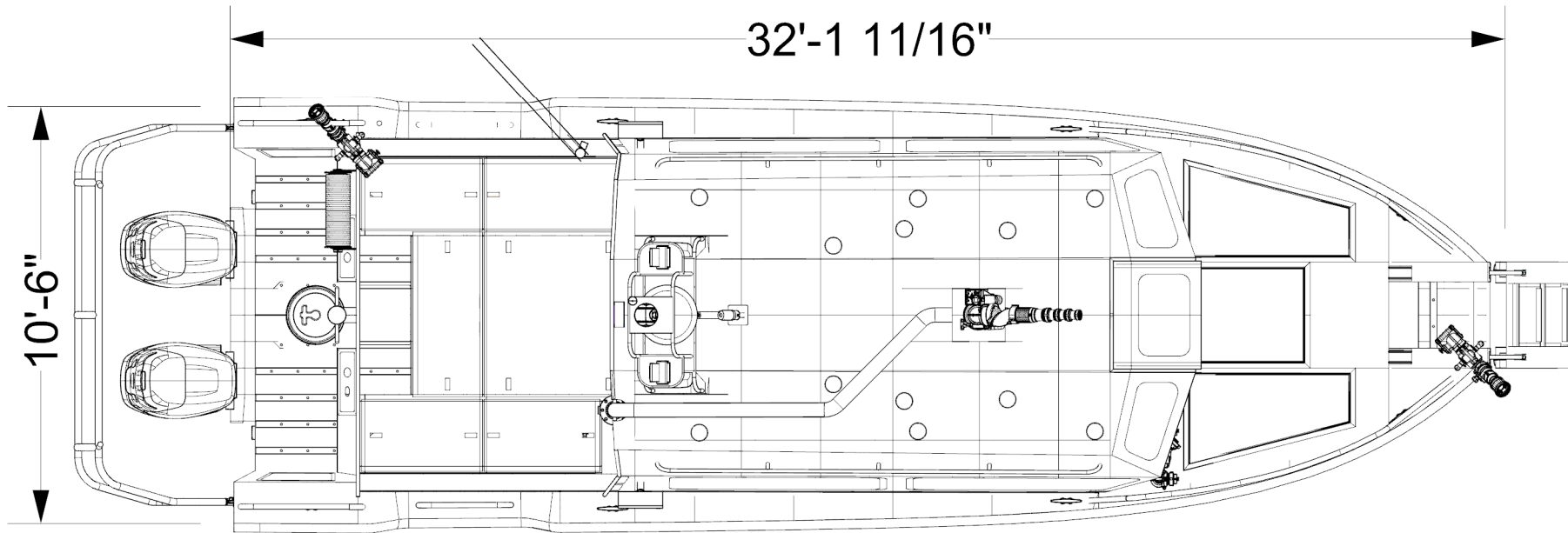
SHEET
 2 / 6

4

3

2

1



DO NOT SCALE DRAWING

REVISION	BY	DESCRIPTION	DATE	NAME	DATE
—	—	—	00-00-14	DRAWN	2-20-17
				CHECKED	
				ENG APPR.	
				MFG APPR.	
				Q.A.	

PROPRIETARY AND CONFIDENTIAL
 THE INFORMATION CONTAINED IN THIS DRAWING IS THE SOLE
 PROPERTY OF LAKE ASSAULT BOATS, LLC. ANY REPRODUCTION
 OR USE IN PART OR AS A WHOLE WITHOUT WRITTEN
 PERMISSION FROM LAKE ASSAULT BOATS, LLC IS PROHIBITED.



1 CLOUGH AVE
 SUPERIOR, WI 54880-1300
 715-394-7787
 LAKEASSAULT.COM

TITLE:
Duluth Fire-Rescue

LAKE ASSAULT BOATS, LLC
 DRAWING:
 800-010

SHEET
3 / 6

4

3

2

1

B

B

A

A

4

3

2

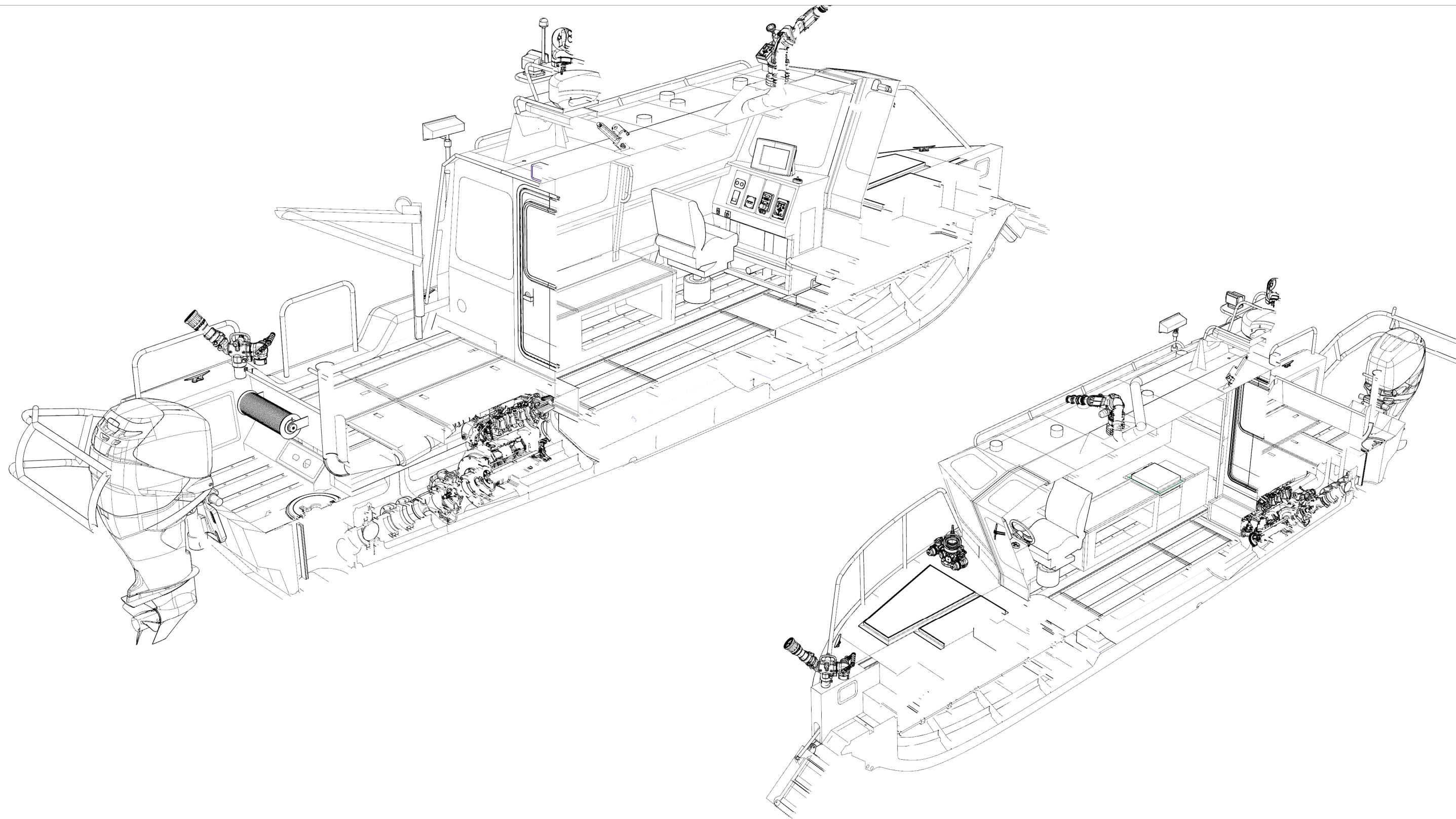
1

B

B

A

A



DO NOT SCALE DRAWING

REVISION	BY	DESCRIPTION	DATE	NAME	DATE
—	—	—	00-00-14	DRAWN	2-20-17
				CHECKED	
				ENG APPR.	
				MFG APPR.	
				Q.A.	

PROPRIETARY AND CONFIDENTIAL
 THE INFORMATION CONTAINED IN THIS DRAWING IS THE SOLE
 PROPERTY OF LAKE ASSAULT BOATS, LLC. ANY REPRODUCTION
 OR USE IN PART OR AS A WHOLE WITHOUT WRITTEN
 PERMISSION FROM LAKE ASSAULT BOATS, LLC IS PROHIBITED.



1 CLOUGH AVE
 SUPERIOR, WI 54880-1300
 715-394-7787
 LAKEASSAULT.COM

TITLE:
Dahlgren Fire/Rescue County
Fire/Rescue 28'x9.5'

LAKE ASSAULT BOATS, LLC
 DRAWING:
869-800-010

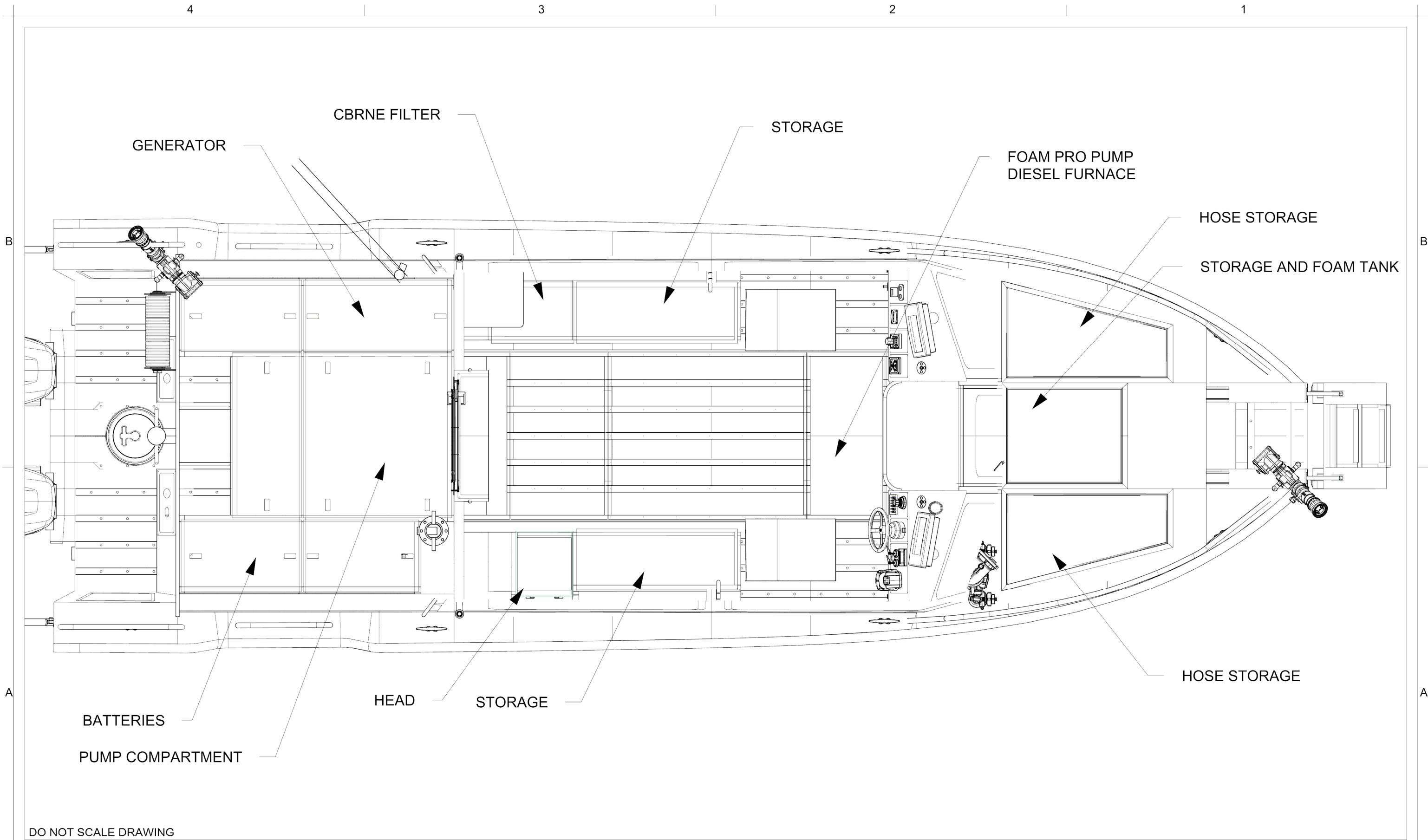
SHEET
4 / 6

4

3

2

1



DO NOT SCALE DRAWING

REVISION	BY	DESCRIPTION	DATE	NAME	DATE
—	—	—	00-00-14	DRAWN	2-20-17
				CHECKED	
				ENG APPR.	
				MFG APPR.	
				Q.A.	

PROPRIETARY AND CONFIDENTIAL
 THE INFORMATION CONTAINED IN THIS DRAWING IS THE SOLE
 PROPERTY OF LAKE ASSAULT BOATS, LLC. ANY REPRODUCTION
 OR USE IN PART OR AS A WHOLE WITHOUT WRITTEN
 PERMISSION FROM LAKE ASSAULT BOATS, LLC IS PROHIBITED.



1 CLOUGH AVE
 SUPERIOR, WI 54880-1300
 715-394-7787
 LAKEASSAULT.COM

TITLE:
Duluth Fire-Rescue

LAKE ASSAULT BOATS, LLC
 DRAWING:
 800-010

SHEET
 5 / 6